

## Description

P048-24-A is special power adapter which designed for MiBoxer LED strip light and controller. It has improved 2.4G RF control distance and dimming performance. The input voltage is universal global standard (100-240Vac 50/60Hz)

## Features

- Universal AC input/Full range
- 2 Pole EURO Plug Class II Power Unit
- No load power consumption <0.075W
- Energy efficiency Level VI
- Protections:Short circuit/Over Load/Over voltage
- Fully enclosed plastic case
- LED indicator for power on
- Meet environmental standard: Rohs
- Improved 2.4G RF control distance: >30m
- Low operating noise: ≤30dB
- Improved dimming performance
- Strip light not flash once it is over full loaded
- 5 years warranty

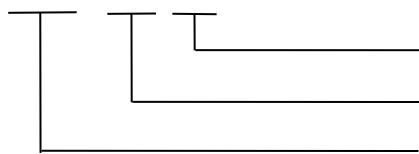


## Applications

- Indoor office lighting
- Decoration lighting
- Garden lighting

## Item ID instruction

P048 - 24 - A



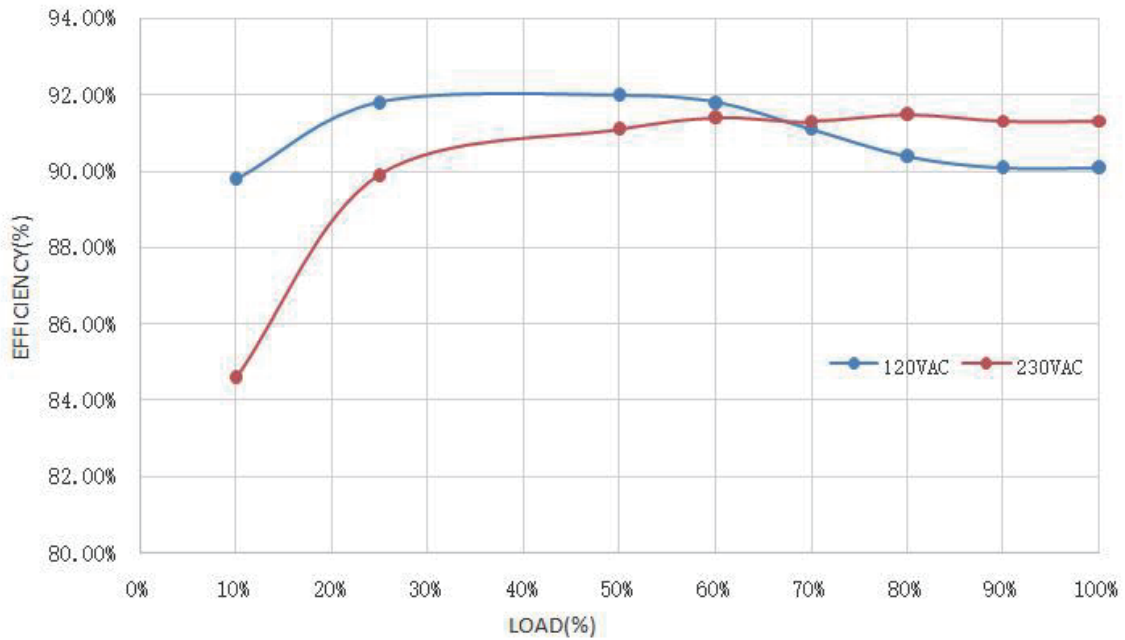
Output DC Connector 5521  
Output Voltage 24V  
Power 48W

## Specification

Model No		P048-24-A		
OUTPUT	DC Voltage	Min: 23.3V	typical: 24.0V	Max: 24.7V
	Rated Current	Min: 1.8A	typical: 2.0A	Max: 2.2A
	Current Range	0-2A		
	Ripple And Noise	150mVp-p Max At 115/230Vac input and output Min and Max. Load, the ripple and noise are as follows when measure with Max. Bandwidth of 20MHz and Parallel 47uF/0.1uF, crossed connected at testing		
	10% Load Efficiency	78.97% Min At 115/230Vac input voltage, 10% load efficiency		
	Setup, Rise Time	<3 Second Max.at 115Vac-230Vac input and output Max.load		
	Hold up time	20mS Max.at 115Vac input and output Max load		
	Over-shoot	10% Max.When power supply at turn off/on		
INPUT	Rated input voltage	100-240Vac (Operating range: 90-264Vac) (Voltage Limit)		
	Rated input frequency	47Hz-63Hz		
	Rated input current	1.2A Max		
	Power Factor	0.65Min Vin=115/230Vac, Full load		
	Power consumption (no loading)	0.075W Max. (Input voltage 115V and 230Vac)		
	Average Efficiency	88.97% Min At 115/230Vac input voltage, 1/4, 1/2, 3/4 and full load calculation average efficiency. Adaptor meet efficiency level VI		
	Inrush Current	≤60A&350uS@230Vac (Max)		
	Lnrush Current	≤0.7mA		
PROTEC TION	Over Load	CC mode, (Recovers automatically after fault condition is removed)		
	Over Voltage	Protection Type:Hiccup Mode,Recovers automatically after fault condition is removed		
	Short Circuit	Hiccup mode(auto-recovery)		
ENVIRO NMENT	Operating Temperature	-0℃ - +40℃		
	Operating Humidity	20-90%RH (no condensation)		
	Storage Temperature/Humidity	-40℃ - 85℃; 10-90%RH (no condensation)		
	Atmispheric Pressure	86-106KPa		
SAFETY &EMC	Certifications	TUV-ENEC、CE、CB		
	Withstanding Voltage	I/P-O/P: 3kV , 0.5kV 5mA 60S		
	Insulation Resistance	I/P-O/P: >100MΩ@500VDC		
	Safety Standards	UL62368-1 IEC62368-1 GB4706.1, GB4343, GB17625 BS EN62368 BS EN55032/55035		
	EMI	CE-EMC/RCM:EN55032, EN55014 CCC:GB9254, GB17625.1 FCC: part 15B		
	EMS	CE-EMC/RCM:EN 61000-4-2,3,4,5		
Others	IP Rating	IP40		
	RoHS	RoHS 2.0 (EU) 2015/863		
	Warranty Condition	5 yrs (Tc ≤ 80℃)		
Remarks	<ol style="list-style-type: none"> <li>1. We suggest user to install over or under loaded protective device in power supply circuit of led light and ensure safety using electricity</li> <li>2. Please turn off power and AC input once user install wiring</li> <li>3. The PC cover, shell accessories for power adapter installation inside of led light must be UL94-V0 anti-fire level</li> <li>4. Power adapter is important accessories for Led light, EMC function is easy to be affected by inside wiring connection of power adapter, the end manufacturer should pass new EMC testing for whole finished unit.</li> <li>5. Without any special notice, above testing figure is under testing condition ( temperature 25℃, humidity 50%, input 230Vac, 100% full loaded )</li> </ol>			

## Characteristic Curve

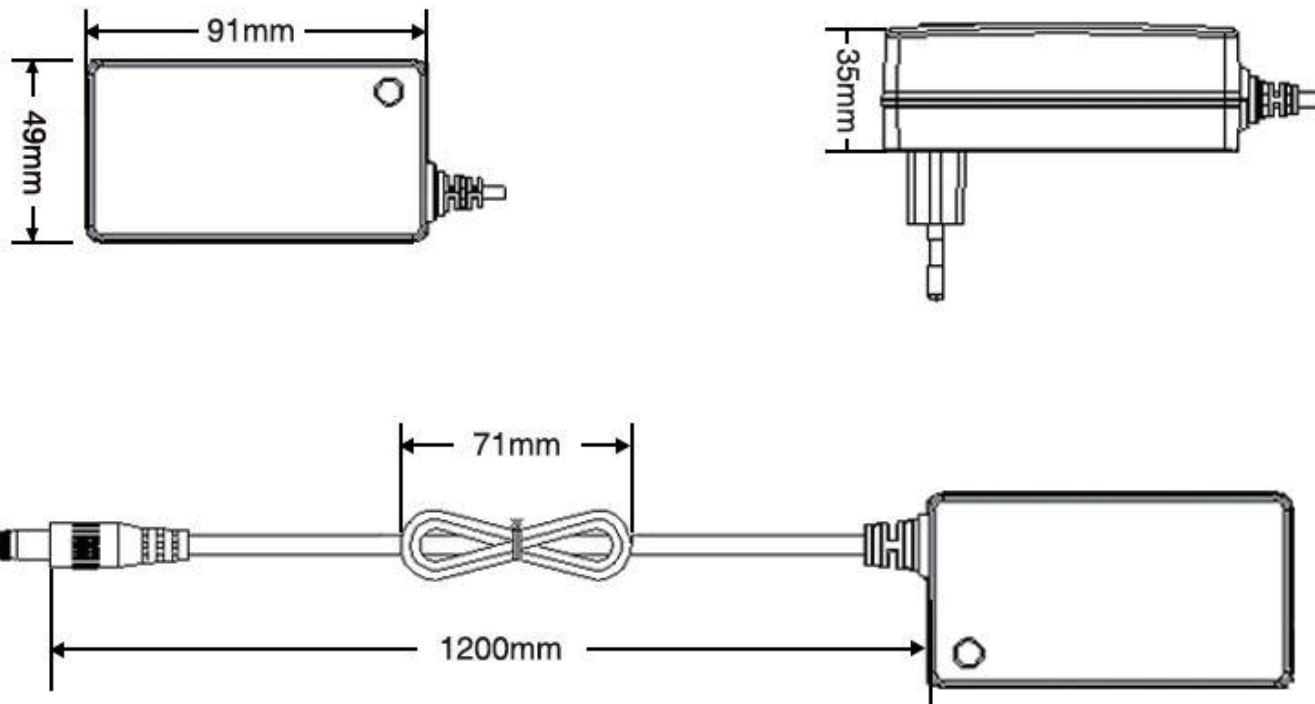
### ■ Efficiency Curve (TBD)



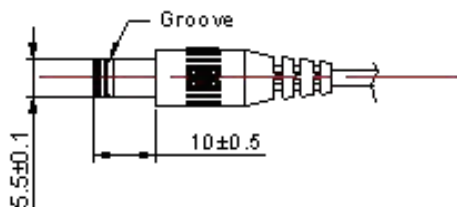
## Label



### Structure size (unit: mm)



### Output line DC connector (unit: mm)



#### NOTE:

1. UL 2464 24AWG Ø3.5 80 oC 300V VW-1 L=1200±50mm
2. PLUG: 5.5\*2.1\*10mm, Straight plug fork with groove
3. POLARITY: inside: "+", outside: "-"
4. Color: Black
5. RoHS

### Packaging Specification

Model	P048-24-A
Packaging Box Size	490×405×260mm(L×W×H)
Quantities	40PCS/layer; 2 layers/ctn; 80PCS/ctn

## Transportation & Storage

### Transportation

Suitable transportation means: vehicles, boats and aircraft. During transportation, there should be awnings for rain protection and sun protection. Civilized loading and unloading are required. There should be no severe vibration or impact Storage. Storage in accordance with the provisions of the Class I environment. For products which have been stored for more than six months, they mustn't be used until they pass the re-inspection.

### Attention

- ★ Please use this product according to its specifications otherwise there may be malfunction.
- ★ Use light fixtures that have not been certified or are not compatible with the LED drivers may cause fire or other hazards.
- ★ Man-made damage, any use beyond the specification and non-original-factory modification are not covered by warranty.

### Manufacturer: Futlight Optoelectronics Co., Ltd

Address: 2 Floor Building 4, Good Mind Industry, No.68 ChaoYang Road, YanLuo Street, Bao'an District, ShenZhen City, China